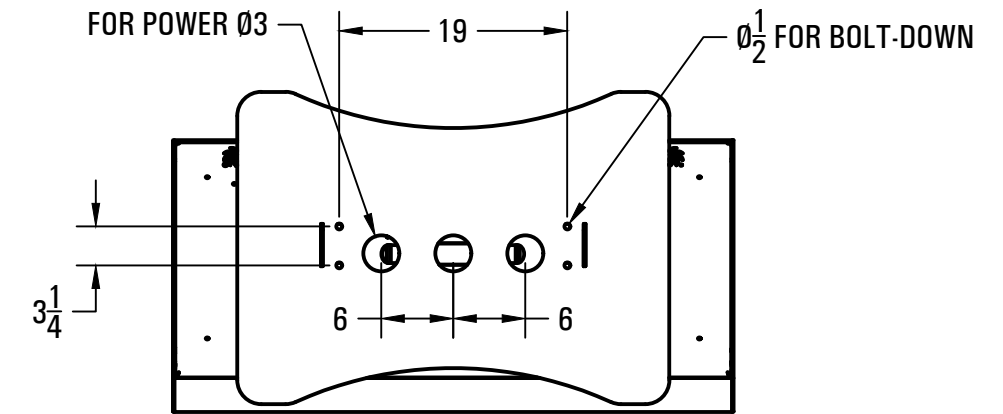
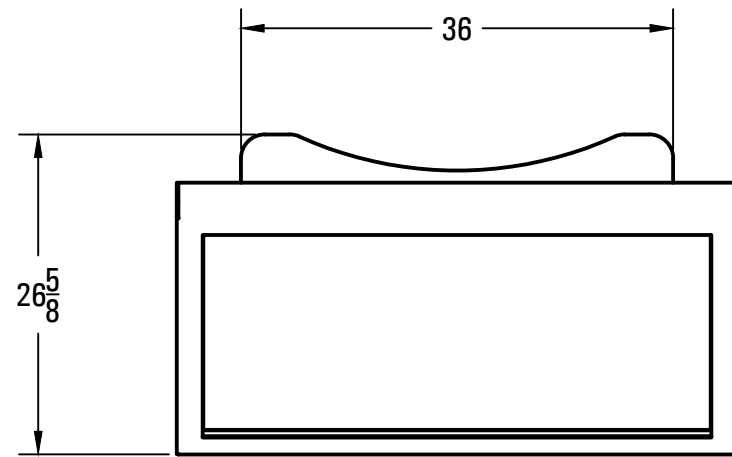


**SCOPE OF WORK**

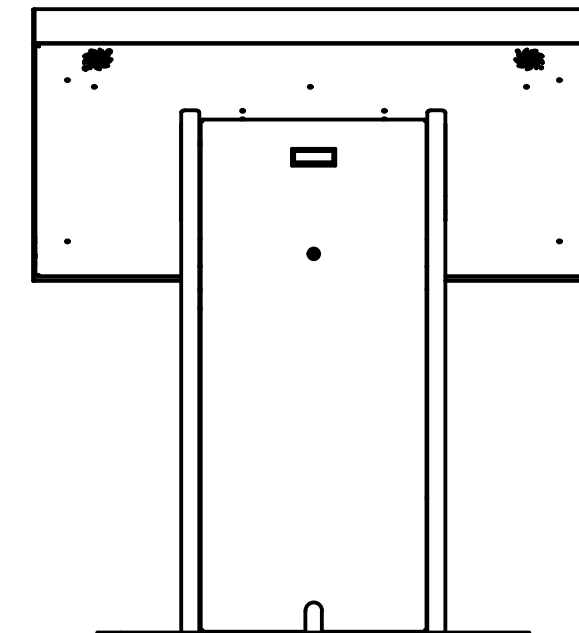
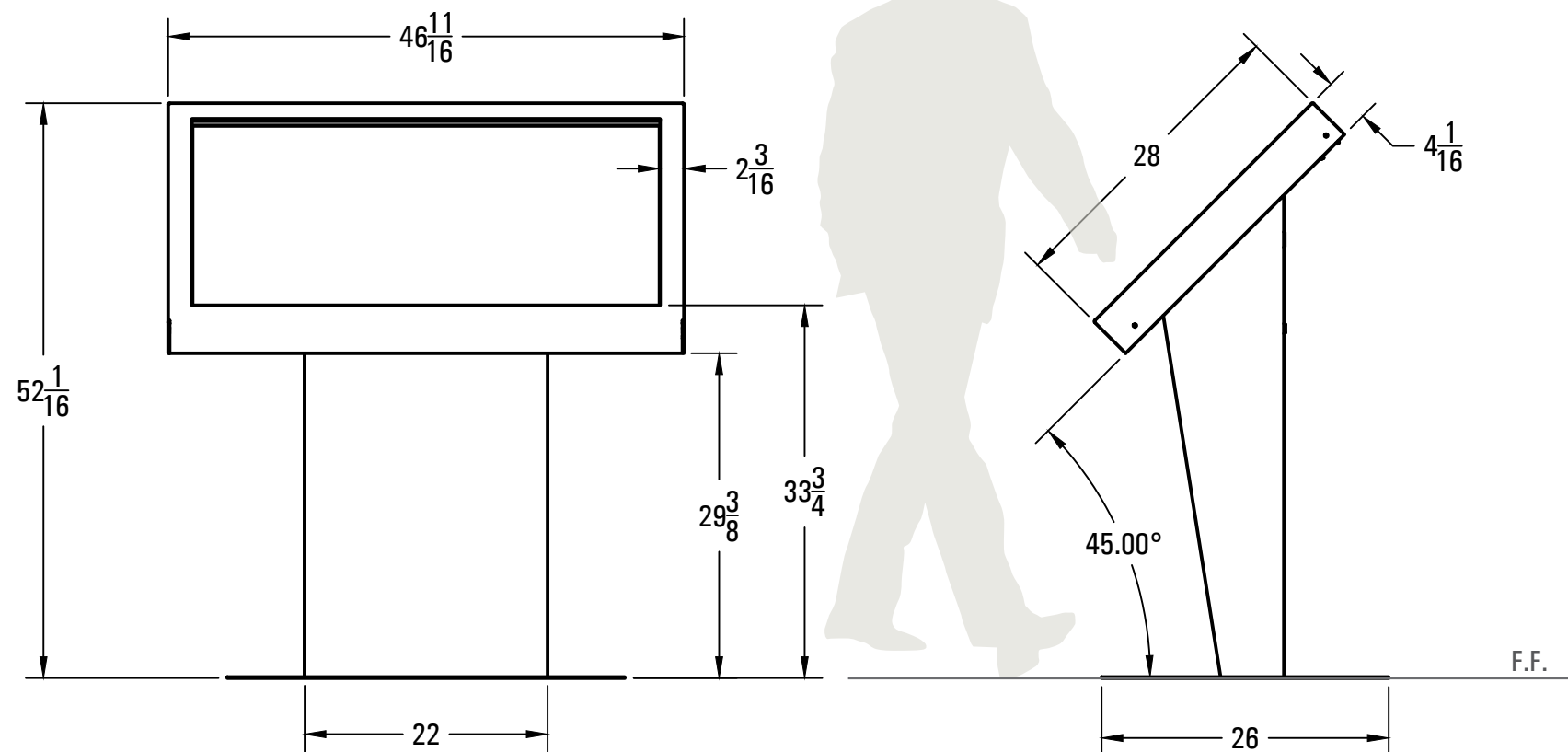
**DISPLAY:** LG49UH5C-B + TSI IR -OR- LG 49UH5F + TSI IR  
**Media Player:** SENECA HDS SERIES  
**FINISH:** POWDERCOAT GR1031 SILVER METALLIC TEXTURE  
**MOUNTING:** FREESTANDING PLATE  
**POWER REQUIREMENTS:** RECESSED 120V OUTLET  
**DATA RECOMMENDATION:** WIRED CONNECTION (CAT5E/CAT6 ETHERNET CABLE)



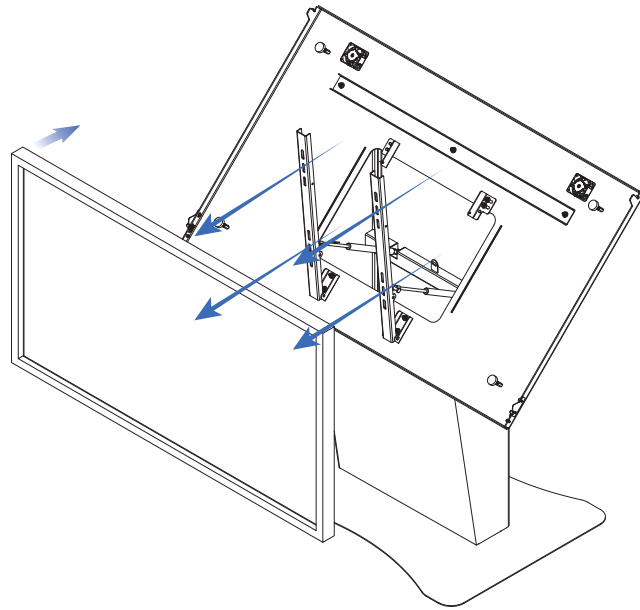


BASEPLATE VIEW  
1:16

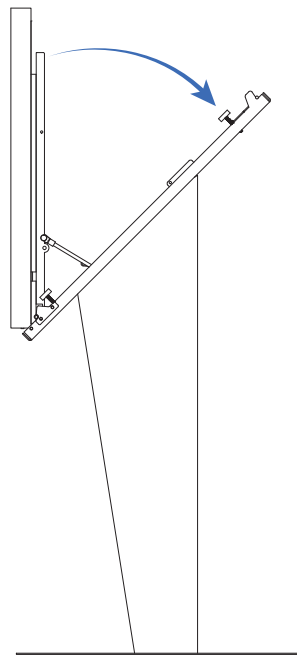
DIMENSIONS OF FACE MAY DIFFER SLIGHTLY BETWEEN DISPLAY MODELS



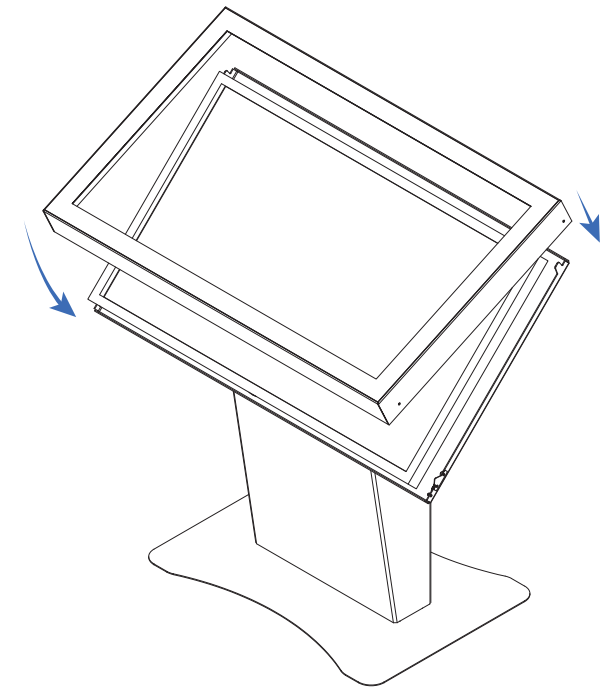
# INSTALL INSTRUCTIONS



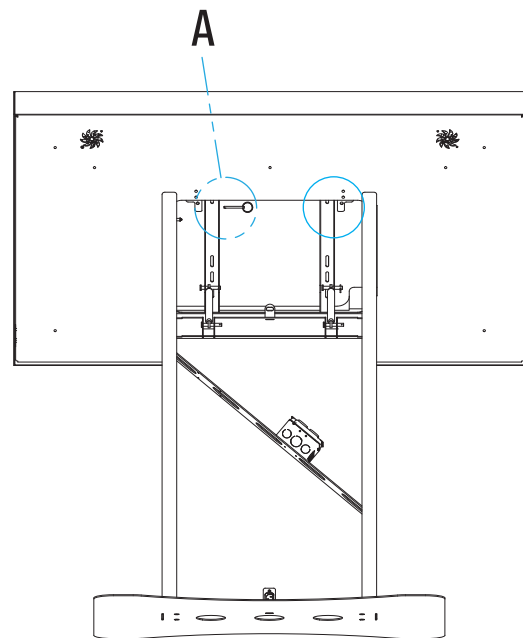
① WITH THE FACE REMOVED AND SPRING ARMS IN THE UPRIGHT POSITION, MOUNT DISPLAY VESA TO DISPLAY BRACKETS WITH (4) SOCKET HEAD SCREWS



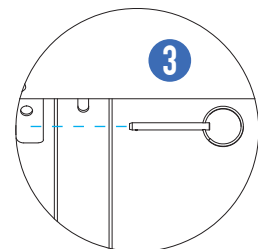
② PUSH DISPLAY INTO CLOSED POSITION



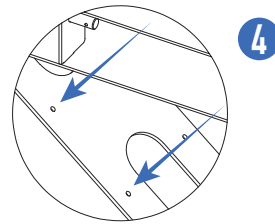
⑤ INSTALL THE FACE; ALIGN THE PINS WITH THE TOP CRADLES AND PUSH DOWN FIRMLY AT BOTH BOTTOM CORNERS



③ FROM THE REAR, INSERT QUICK RELEASE PINS THROUGH THE DISPLAY ARMS AND PIN BRACKETS (2)

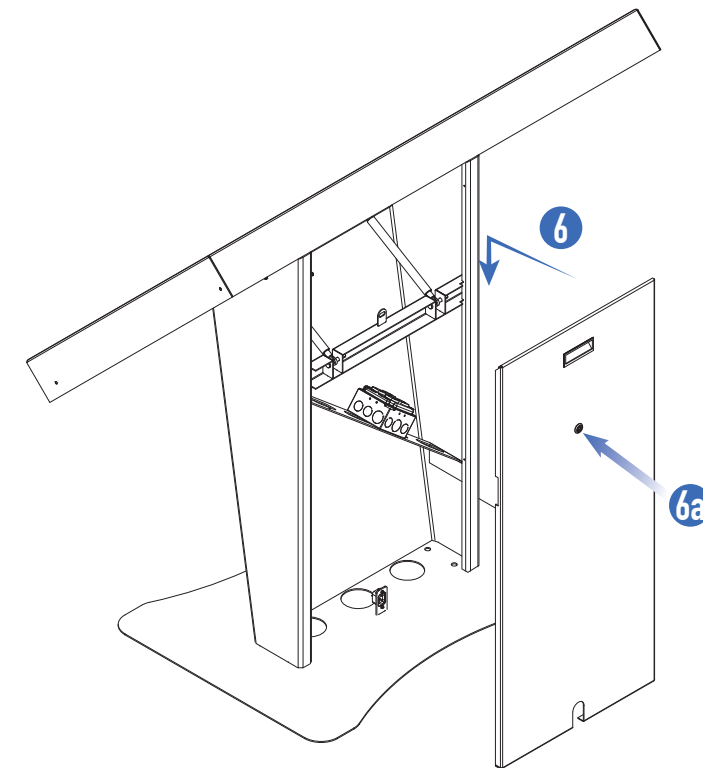
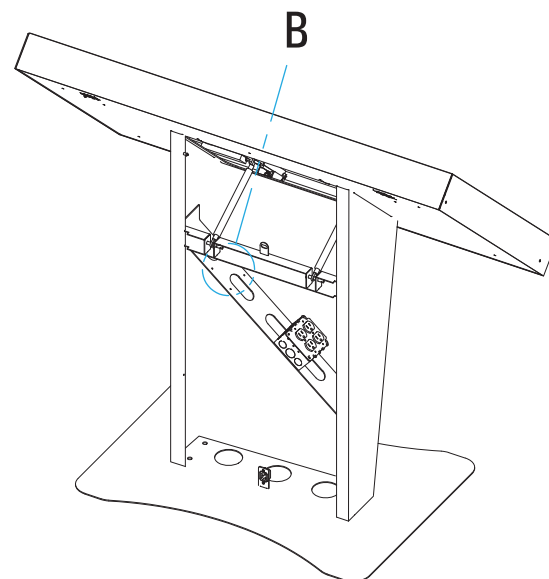


DETAIL A



DETAIL B

④ OPTIONAL: MOUNT MICRO-PC MOUNTING PLATE TO CROSS-BRACE WITH 8-32 SCREWS



⑥ INSTALL REAR ACCESS DOOR: LIFT AND DROP DOOR INTO PLACE

⑥a PRESS PLUNGER TO LOCK